



Scout Upholstered Bed

Classic and refined, the Scout Upholstered Bed is the perfect combination of form and function. With an angled bedhead for kids to lean into, it is the perfect bed for kids to relax and get comfy in whilst reading. With endless possibilities of fabric choices, three bedhead finishes plus a range of leg options, this bed is sure to work in any child's bedroom.

SPECIFICATIONS

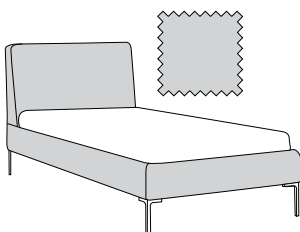
Size	Single, King Single, Double, Queen
Internal frame	Hardwood and ply
Headboard + frame	High resilience foam
Legs	Stainless steel or hand-turned solid timber
Base	Fixed timber slats
Mattress	Standard Australian sizes
Upholstery	Choose from a comprehensive range of fabrics or supply your own
Assembly	2 pieces (fully constructed base plus bed head) OR deconstructed*
Add ons	Trundle
Make	100% Australian
Warranty	10 years

CUSTOM MAKE

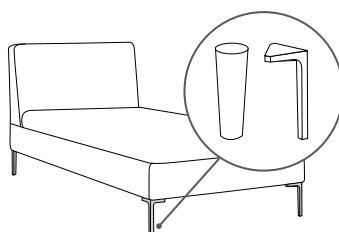
Want to customise this furniture item?
Contact us for a quote sydney@lillyandlolly.com.au

**The standard Scout Upholstered Bed comes in 2 pieces, however if you have restricted access to your home, a deconstructed option is available.*

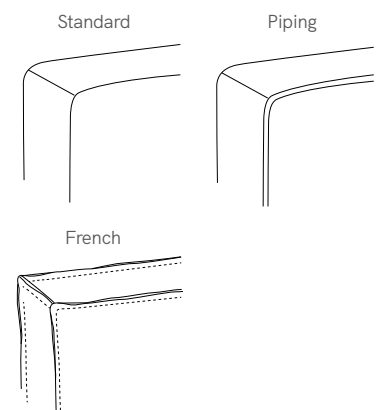
- 1. CHOOSE YOUR FABRIC**
Choose from our fabric selection or choose your own

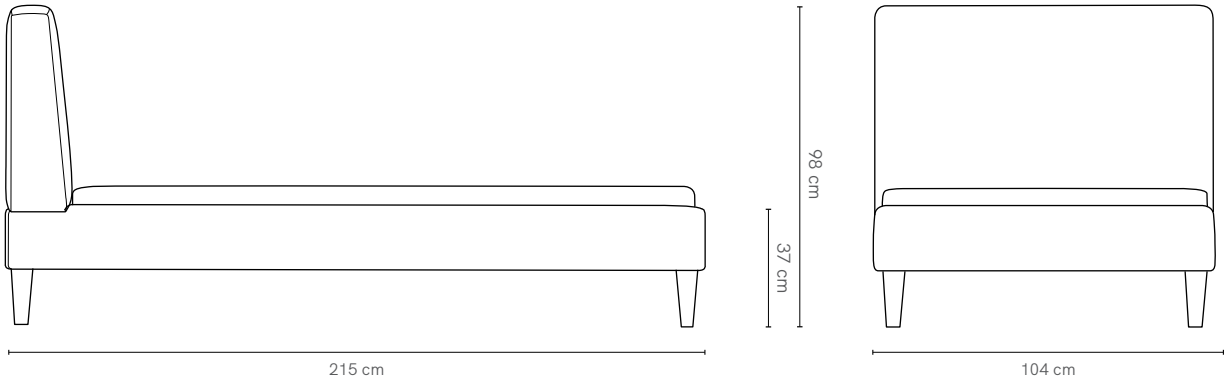


- 2. CHOOSE YOUR LEGS**
Choose from stainless steel stilleto legs or Parker timber legs

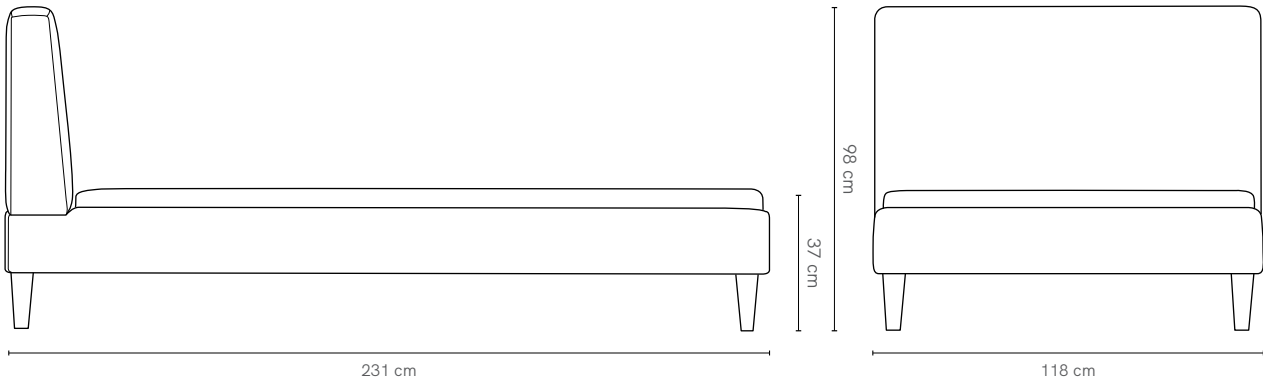


- 3. CHOOSE BED HEAD STITCH/FINISH**

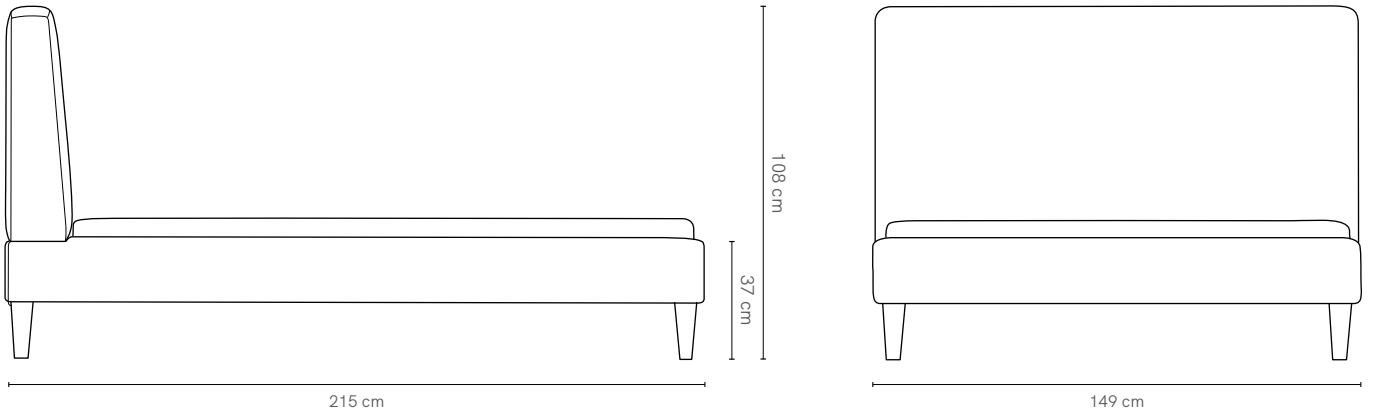




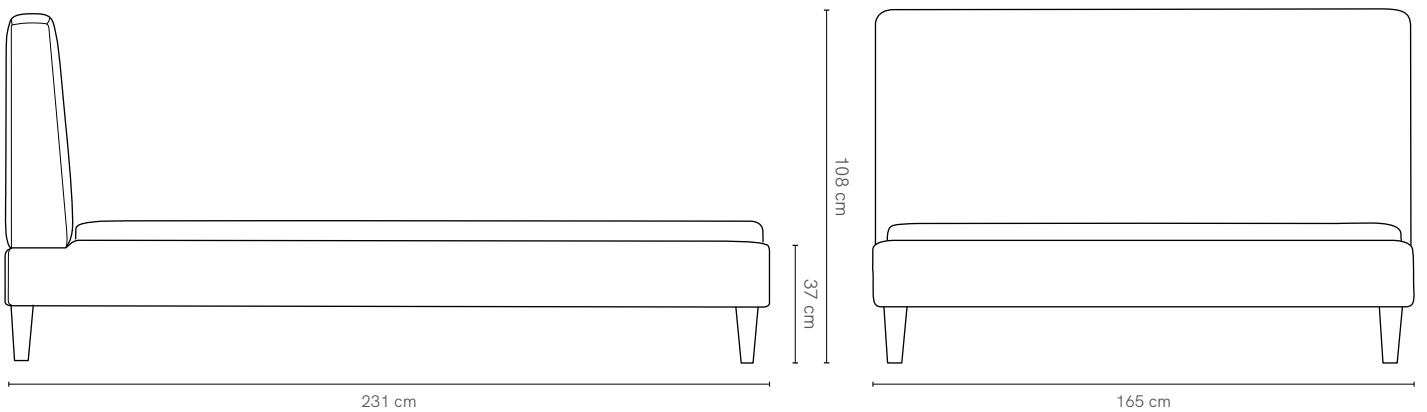
SINGLE



KING SINGLE



DOUBLE



QUEEN