



Bed legs pictured in Tasmanian Oak

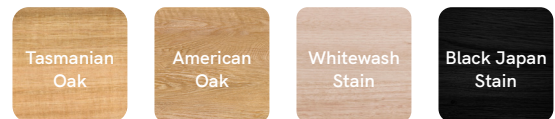
Charlie Bed

Featuring an iconic retro style, the curved bedhead with button feature creates a sense of comfort and warmth. With endless possibilities, the Charlie bed can be created using any fabric you wish.

SPECIFICATIONS

| | |
|--------------------------|---|
| Sizes | Single, King Single, Double, Queen |
| Internal frame | Hardwood and ply |
| Headboard + frame | High resilience foam |
| Legs | Hand-turned solid oak, clear laquer finish |
| Base | Fixed timber slats |
| Mattress | Standard Australian sizes |
| Upholstery | Choose from a comprehensive range of fabrics or supply your own |
| Assembly | 2 pieces (fully constructed base plus bed head) OR deconstructed* |
| Make | 100% Australian |
| Warranty | 10 years |

TIMBER LEG OPTIONS

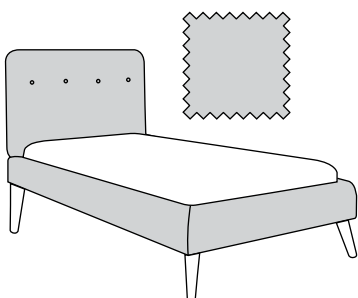


CUSTOM MAKE

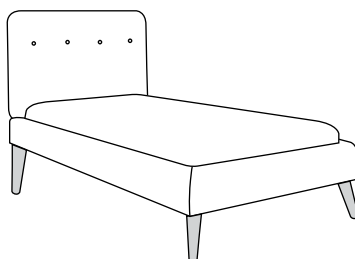
Want to customise this furniture item?
Contact us for a quote sydney@lillyandlolly.com.au

*The standard Charlie Bed comes in 2 pieces, however if you have restricted access to your home, a deconstructed option is available.

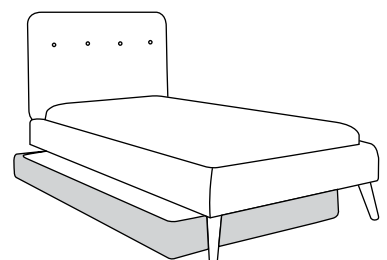
- 1. CHOOSE YOUR FABRIC**
Choose from our fabric selection or choose your own

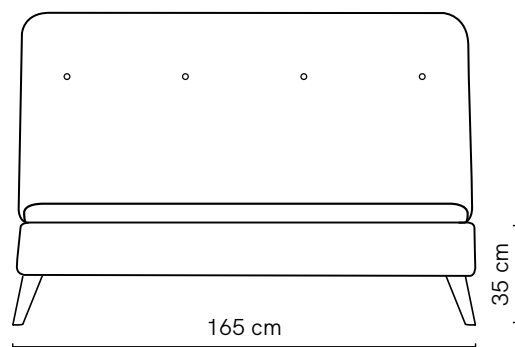
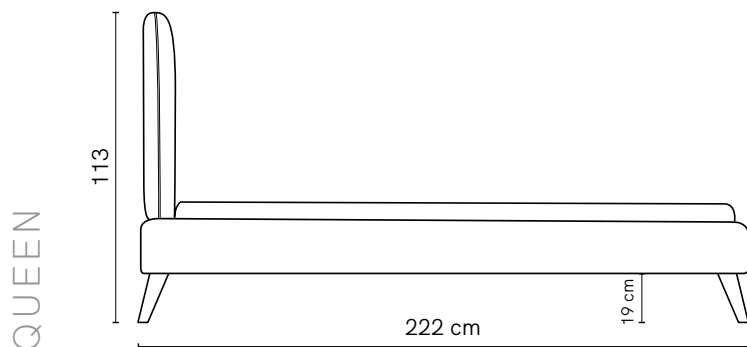
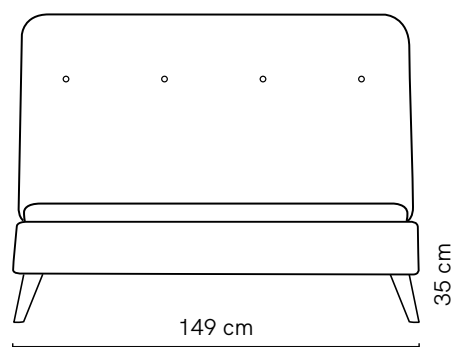
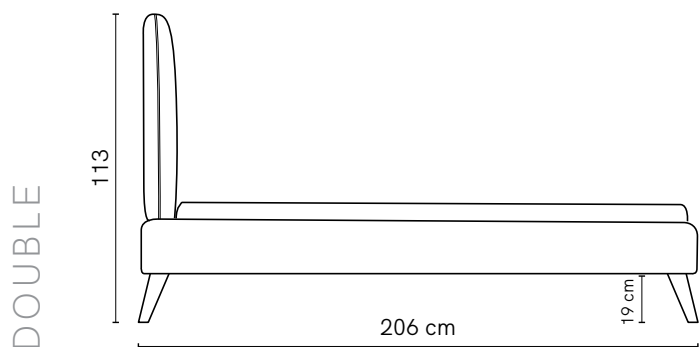
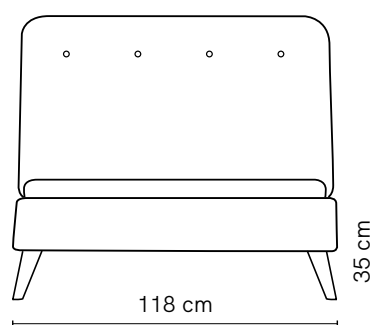
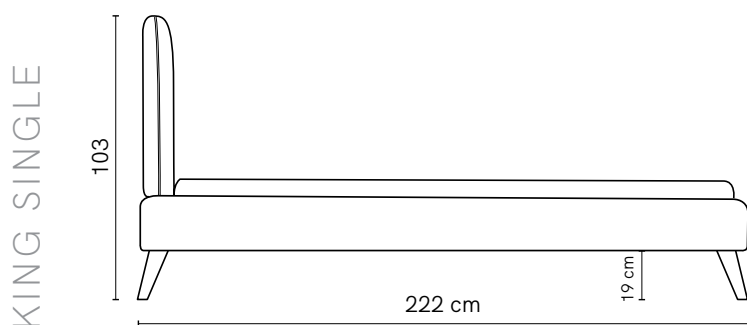
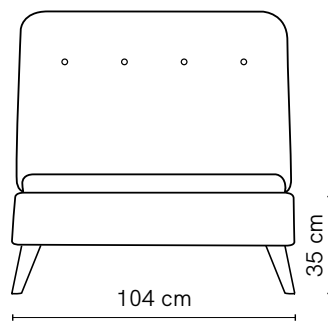
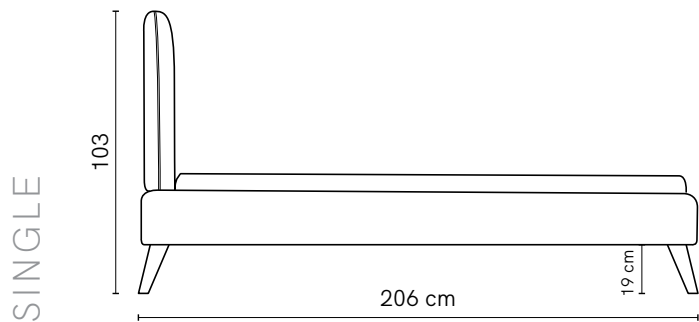


- 2. CHOOSE YOUR LEG FINISH**
Tasmanian Oak, American Oak, Whitewash or Black Japan



- 3. CHOOSE OPTIONAL TRUNDLE**
Refer to trundle specification sheet for further details





| Measurements | Length (cm) | Width (cm) | Bed head height (cm) | Bed end height (cm) |
|--------------|-------------|------------|----------------------|---------------------|
| Single | 206 | 104 | 103 | 35 |
| King Single | 222 | 118 | 103 | 35 |
| Double | 206 | 149 | 113 | 35 |
| Queen | 222 | 165 | 113 | 35 |



Charlie Trundle

Perfect for sleepovers to glide out from under the Charlie bed, choose the trundle option to match the fabric of your bed.

SPECIFICATIONS

| | |
|-----------------------|----------------------------------|
| Internal frame | Hardwood and ply |
| Outer frame | High resilience foam |
| Castors | Easy glide castors |
| Base | Fixed timber slats |
| Mattress | High density foam (custom sizes) |
| Construction | No assembly required |
| Make | 100% Australian |
| Warranty | 10 years |

| Measurements | Length (cm) | Width (cm) | Height (cm) |
|--------------|-------------|------------|-------------|
| Single | 184 | 100 | 14 |
| King Single | 222 | 118 | 14 |